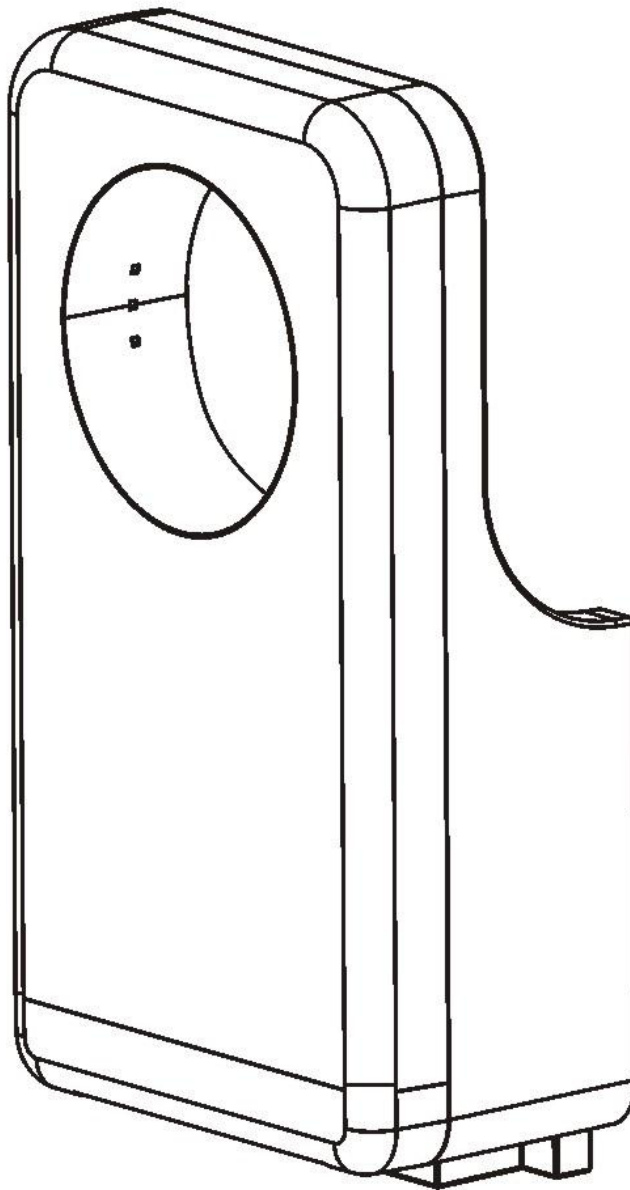


Circular High Speed Hand Dryer

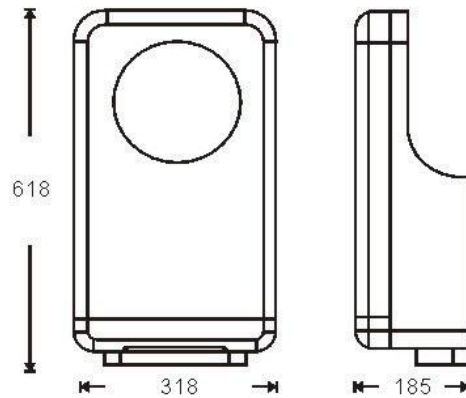
PLEASE CAREFULLY READ THROUGH THIS MANUAL BEFORE USING THE PRODUCT. OBSERVING ALL SAFETY INFORMATION, WARNINGS AND CAUTIONS WILL PROTECT YOURSELF AND OTHERS. PLEASE KEEP INSTRUCTIONS FOR FUTURE REFERENCE.



Operating Instructions and Parts Manual

Specifications

Unit Size:mm



TECHNICAL SPECIFICATIONS

ITEM CATEGORY

Operating Voltage
Air speed
Air Output Temperature
Dryer Shall Deliver
Cover Type
Motor Type
Heater Element

PERFORMANCE DATA

220-240Vac, 50/60Hz, 5.0-8.0A, 1050-1450W
90-135M/S, Adjustable
35-40°C (113 °F)- Ambient Temp. 20°C (68° F)
89-124 m³/h (55-76 CFM)
ABS
Brush motor:900W 11000-22000 R.P.M.
ON/OFF Heating options

Standby Power

550W

3W

LED Color

Active colored; Standby color blue

Drying Time

5-10 seconds

Circuit Operation

Infrared Automatic, self adjusting

Sensor Range

standard 12 cm ± 1 cm (4-23/32 ")

Sound Pressure

MIN 65 dB-A to 78 dB-A MAX @ 1m

Timing Protection

25 seconds auto shut off

Drip proof

IP×4

Isolation

CLASS 1

Net Weight

8KGS

Shipping Weight

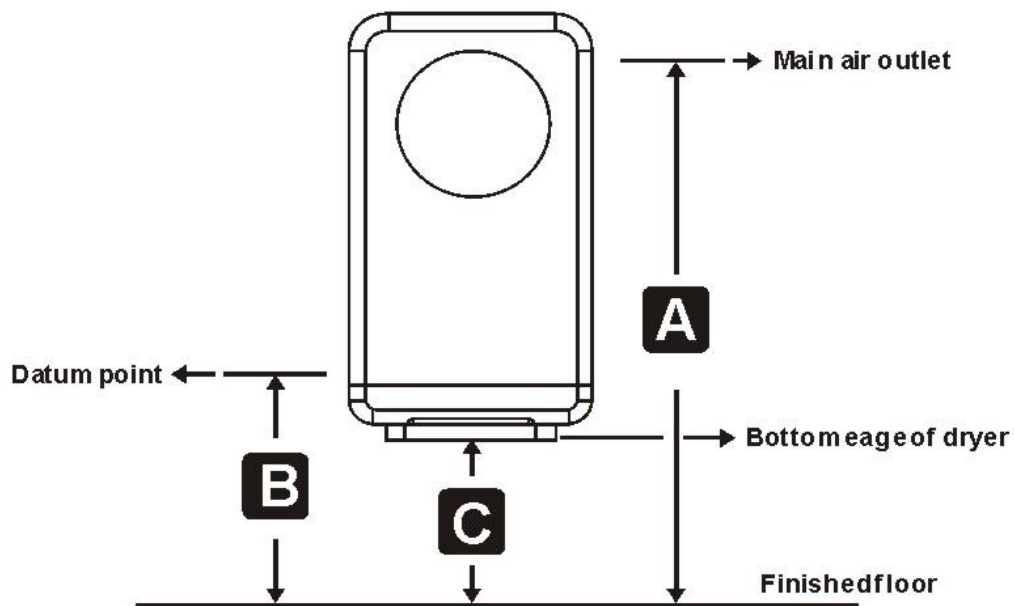
9.3KGS

Unit Size

318mm(W)×618mm(H) x185mm(D)

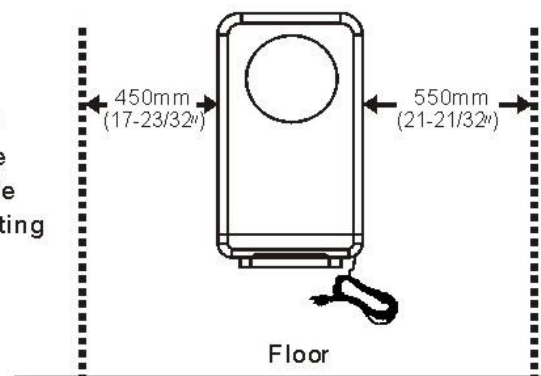
Recommended Mounting Heights

	A From main air outlet above finished floor (AFF)	B From datum point above (AFF)	C From bottom edge of dryer Above (AFF)
Men	1150 mm (45-1/2")	710 mm (27-61/64")	622 mm (24-31/64")
Women	1080 mm (42-1/2")	640 mm (25-13/64")	552 mm (21-47/64")
Children 4-7 years	780 mm (30-1/2")	340 mm (13-25/64")	252 mm (9-59/64")
Children 8-10 years	880 mm (34-1/2")	440 mm (17-21/64")	352 mm (13-55/64")
Children 11-13 years	965 mm (38-1/2")	525 mm (20-43/64")	437 mm (17-13/64")
Children 14-16 years	1080 mm (42-1/2")	640 mm (25-13/64")	552 mm (21-47/64")
Handicaped	900 mm (35-1/2")	460 mm (18-7/64")	372 mm (14-41/64")



Socket Location

The dryer was supplied with a power cord. The power cord hole's position is in the right of the bottom of dryer. The length of the wire is 1.5M. The wire can reach to the right side within the distance of 55cm and reach left side within the distance of 45cm. But we will suggest presetting the socket under the unit for consistency issue.



General Safety Information

▲ WARNING This product is intended for installation by a qualified service person. Use eligible solid conductor for wiring. (1mm² for 220-240V)

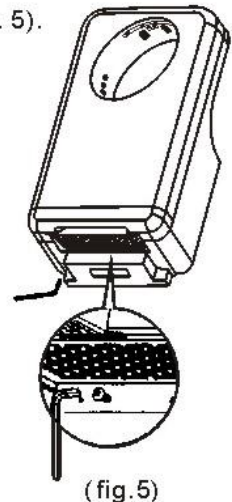
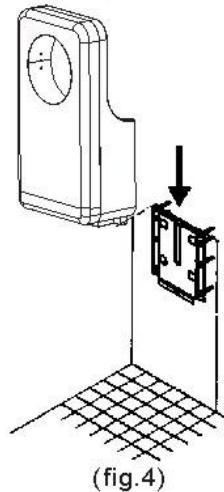
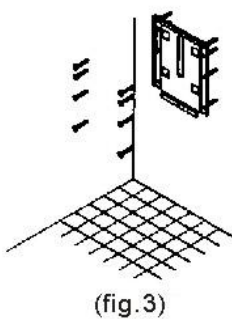
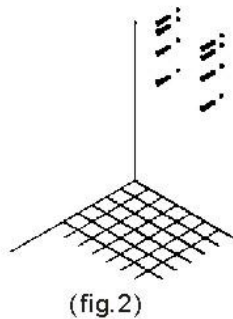
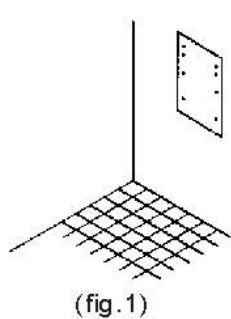
▲ DANGER Failure to properly ground unit could result in severe electrical shock and/or death.

▲ WARNING Disconnect power at the service breaker before installing or servicing. not for household use - may cause burns.
"impropre a l'usage domestique - peut occasionner"

▲ WARNING All units must be supplied with a 3-wire service. The ground wire must be connected to the dryer's backplate.

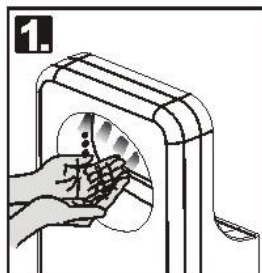
Installation Steps

1. Tape the installation template to the appropriate location on the mounting surface. Drill eight (8) holes at marked locations.(fig. 1).
2. Remove template and Insert eight (8) plastic anchors (supplied) into drilled holes (fig. 2).
3. Insert eight (8) screws (supplied) to fix backplate into top plastic anchors (fig. 3).
4. Hang the dryer on the base plate (fig. 4).
5. Use key (supplied) to unlock and withdraw drawer. Screws(supplied) through the holes at backplate bottom. Insert the drawer back and lock the security screw.(fig. 5).
6. Connect power and stand by.



Operation

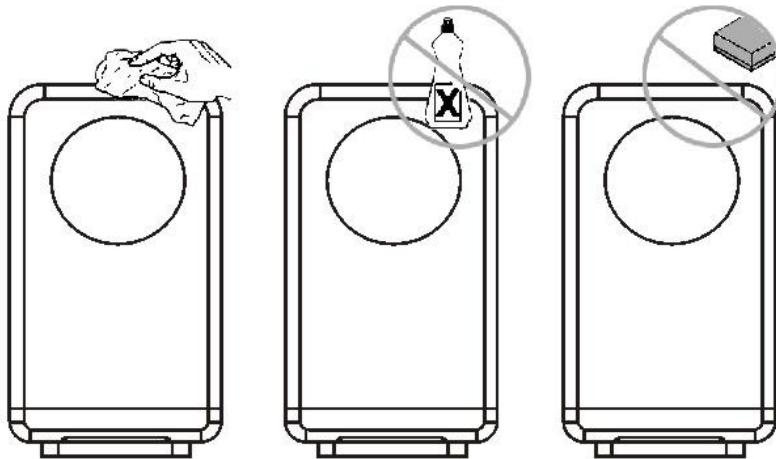
- Put your hands through the opening.
- Dry hands like you wash them.
- Remove hands and dryer will stop automatically.



Cleaning and Maintenance

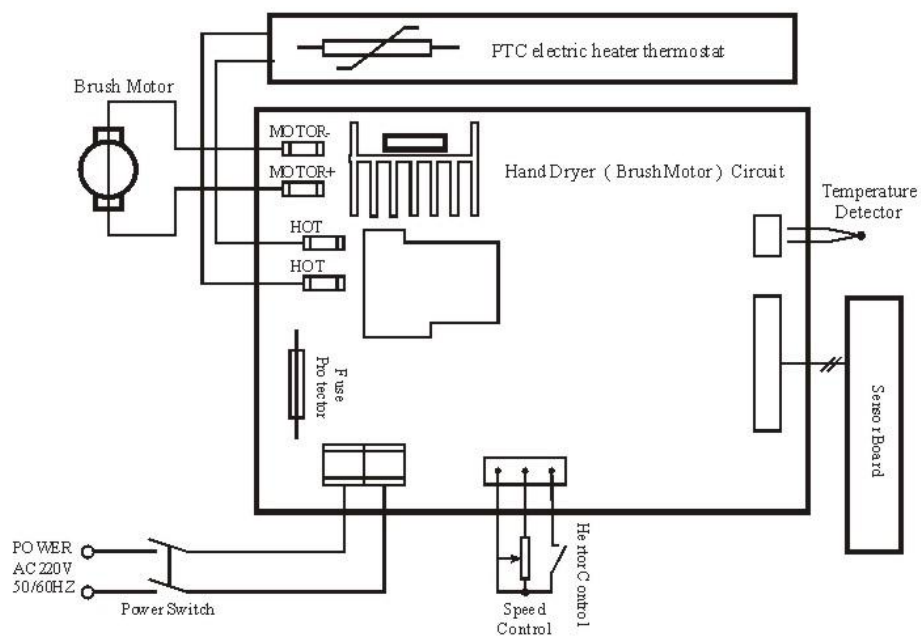
Periodic cleaning of the unit is recommended to ensure optimum performance.

- Wipe the cover with a damp cloth and mild cleaning solution.
- Do not Soak.
- Never use abrasives to clean the cover.



Circuit Diagram

Hand dryer(brush motor)control electrical circuit schematic:



Air Speed Adjustrment

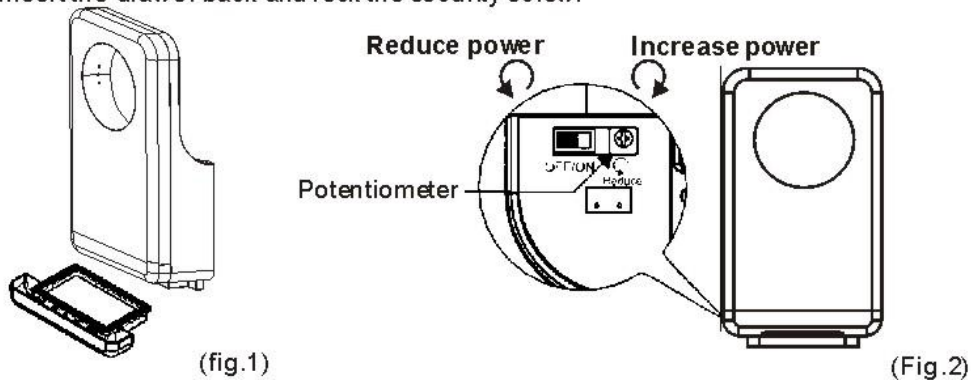
The dryer can keep an appropriate sound during operation by adjusting the motor speed. However, when lowering the motor speed, the drying time will decrease also.

The ability of this function will be dependent on the needs of the owner.

The factory setting for dryer's motor speed will be set at its highest speed.

See below for how to adjust the dryer speed:

1. Use key (supplied) to unlock and withdraw drawer.(fig.1).
2. Use flat blade screwdriver, gently turn a adjustment potentiometer(fig. 2) shaft clock-wise [CW] to increase power to maximum (shaft will hard stop; DO NOT OVERTURN!). Turn tool gently CCW to reduce power as required (shaft will hard stop; DO NOT OVERTURN!). Note that at minimum power the unit may not start if low line Voltage condition exists.
3. Insert the drawer back and lock the security screw.

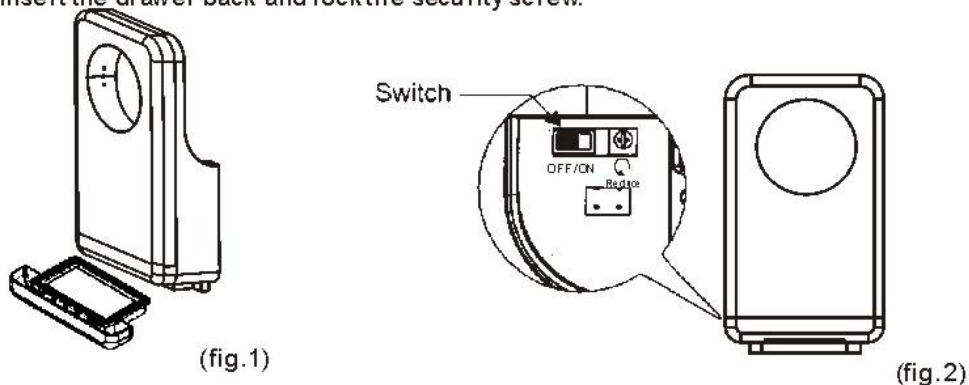


Heater Element Switch ON/OFF

Dryer has been designed with a heater switch that can turn the heater ON/OFF. The heater switch doesn't affect the drying time. In cold-weather places, it may be more comfortable if it is on when drying hands. However, it will save a third of the energy if it is off. This function can be adjusted depending on the needs of the owner. The factory setting for the heater will be on.

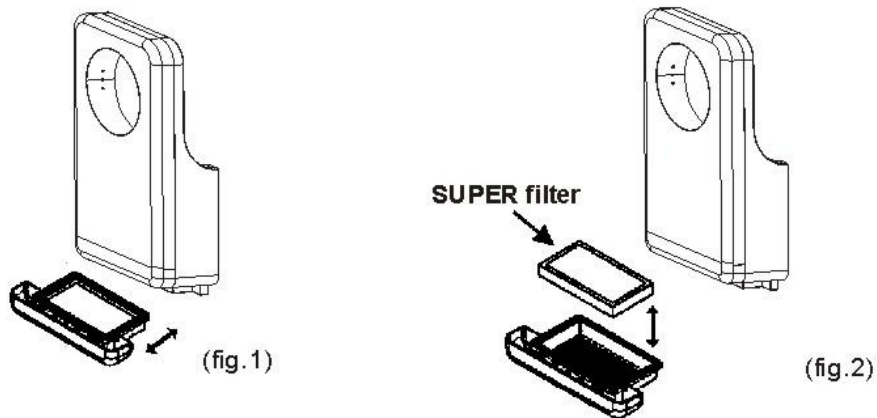
See below for how to turn the heater ON/OFF.

1. Use key (supplied) to unlock and withdraw drawer.(fig.1).
2. Switch it to the right to turn ON the heater. Switch it to the left to turn OFF the heater(fig.2).
3. Insert the drawer back and lock the security screw.



How to Change the SUPER Filter

1. Use key (supplied) to unlock and withdraw drawer.(fig.1).
2. Change the SUPER filter(fig.2).
3. Insert the drawer back and lock the security screw.

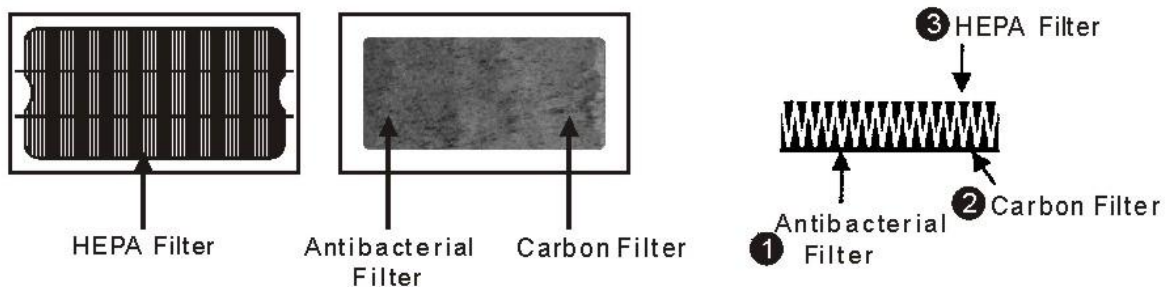


Recommended Period for Changing the SUPER filter

SUPER Filter-

In general use (normal indoor toilets), it's recommended to change the SUPER filter six (6) months.
In dusty places (factories, outdoor toilets), it's recommended to change it every three (3) months.

SUPER filter Assembly Information

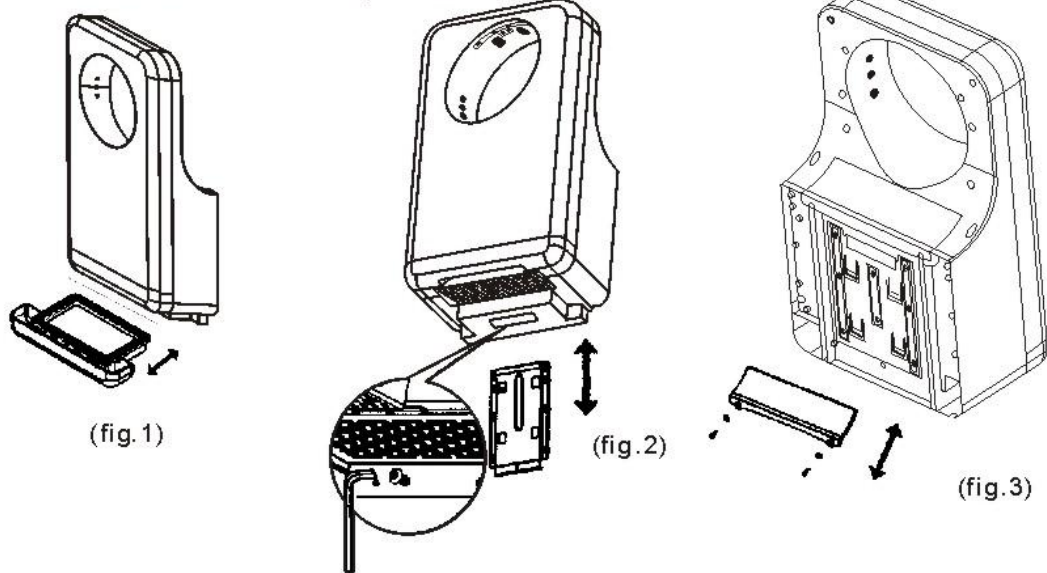


Instructions for use, maintenance and changing the absorbent ceramic

The absorbent ceramic can absorb 70g of water, and has the capacity to take a full load approximately 280 times per day. The ceramic also can evaporate water. During normal use, water will be evaporated continuously and maintain the function of absorbing.

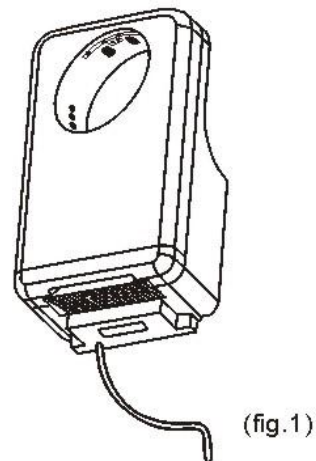
Maintenance simply requires clearing its surface. Normally, its lifetime will be the same as the machine. Improper use or maintenance could result in breakage; see below for replacement instructions.

1. Use the L key to loosen the security screw and remove the drawer. (fig.1)
2. Use the L key to loosen the security screw of the base plate and remove the machine. (fig.2)
3. Use a screwdriver to loosen the screw (2 pcs) on the ceramic, and replace it with a new one. (fig.3)
4. Put the machine back and secure the security screw of the base plate.
5. Put the drawer back and lock up the security screw.



Instructions for use of the drain tank

Generally, the remaining water following usage will evaporate in the absorbent ceramic. During high traffic times, leftover water will flow to the drain tank automatically. The capacity of the drain tray is 240 cc. It's recommended to clean the drain tank every 3 months. Water will come through the "overflow hole" if the drain tank is full. A drain pipe (not included) can be added if necessary. The specifications of the drain pipe is I.D. 6mm (15/64"), O.D. 10mm (25/64"). (fig.1)



REPAIR PARTS LIST

Key	Part #	Description
1	001	Ceramic absorber
2	002	Wall bracket
3	003	Backplate
4	004	Back cover
5	005	Cable gland
6	006	Terminal block
7	007	Switch cover
8	008	Water reservoir
9	009	PCB
10	0010	Switch cover
11	0011	Motor
12	0012	Cover
13	0013	Filter rubber
14	0014	HEPA
15	0015	Drawer assembly
16	0016	Motor frame
17	0017	Motor cover

DIAGRAM

