



# esybox pop

ELECTRONIC PRESSURISATION SYSTEM

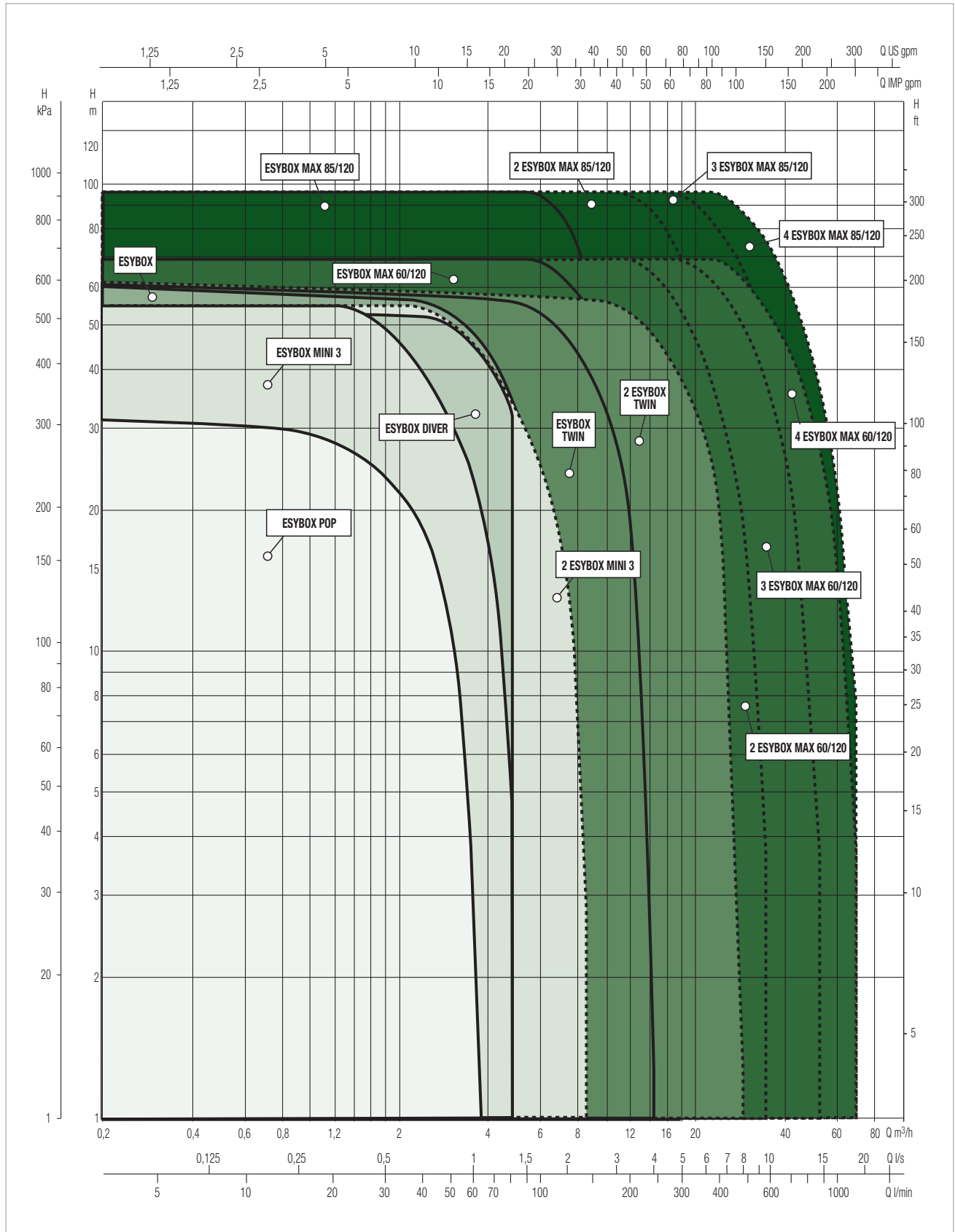




## PERFORMANCE RANGE

The performance curves are based on kinematic viscosity values = 1 mm<sup>2</sup>/s and density equal to 1000 kg/m<sup>3</sup>. Curve tolerance according to ISO 9906.

### GRAPHIC SELECTION TABLE



# ESYBOX POP

## ELECTRONIC PRESSURISATION SYSTEM



FOR PROFESSIONALS  
AND END USERS



### TECHNICAL DATA

**Flow rate:** up to 3.9 m<sup>3</sup>/h

**Head:** 32 m

**Type of pumped liquid:** clean, free of solids and abrasive substances, non-viscous, non-aggressive, non-crystallised, and chemically neutral

**Liquid temperature range:** 5 °C to +50 °C

**Maximum ambient temperature:** +50°C

**Maximum working pressure:** 6 bar / 600 kPa

**Motor protection rating:** IPX5

**Motor insulation class:** F

**Impeller material:** technopolymer

**Single-phase power supply:** 230 V 50 Hz

**Power cord length and plug type:** 1,5 m

**Installation options:** can be installed vertically or wall-mounted using a dedicated accessory

**Certifications:** WRAS, ACS, NSF

This electronic pressurisation system is designed for small residential environments.

It features sound-absorbing materials and a water-cooled permanent magnet motor, ensuring quiet operation, which makes it particularly suitable for home use.

The professional performance of this device is ensured by its advanced components, which include: an anti-cycling feature, which detects leaks by monitoring the frequency of starts and stops; an automatic shut-off mechanism that activates in the event of dry running; an anti-freeze system - to prevent ice formation in the hydraulic components, the pump activates when temperatures drop below 5°C; a motor-protection technology to prevent issues from prolonged inactivity.

The adjustable connections facilitate quicker, easier, and more flexible installation.

Integrated connectivity enables users to configure settings via a smartphone and access cloud services without the need for additional accessories. Additionally, the remote control uses H<sub>2</sub>D technology to view and manage comfort features and parameters.

### PUMP DESIGN FEATURES

Sound-absorbing ABS protective casings. Technopolymer impellers. Non-return valve with integrated temperature, flow, and pressure sensors.

### MOTOR DESIGN FEATURES

Permanent magnet motor cooled by the pumped liquid, encased in a stainless steel jacket for enhanced durability.

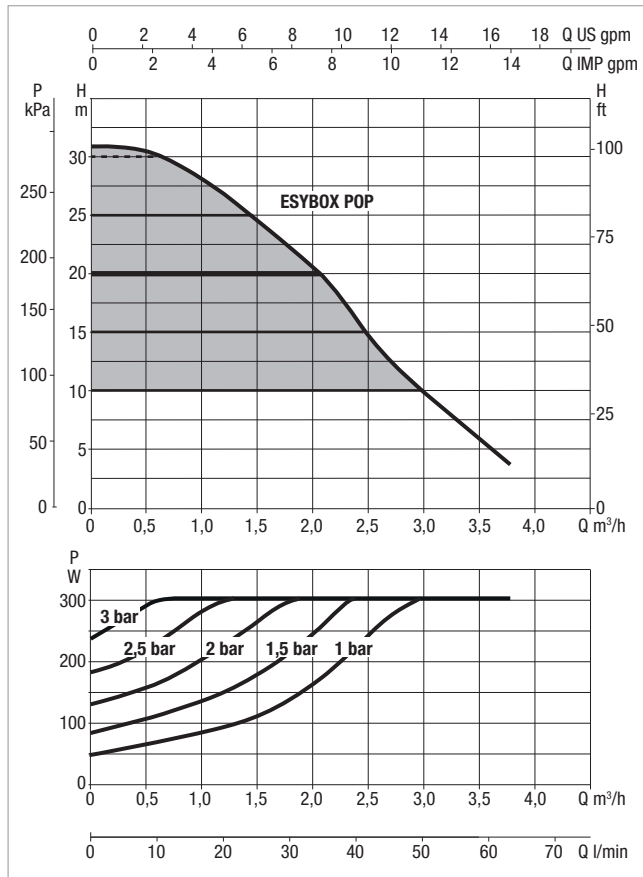
### ELECTRONICS FEATURES

The inverter-controlled permanent magnet motor ensures significant energy savings. Its inverter feature not only enhances energy efficiency but also provides protection against water hammer. Integrated protections: dry running, excessive current, abnormal voltage, overheating, freezing, stalling, and anti-cycling. Built to Italian standards CEI 2-3 and CEI 61-69 (EN 60335-2-41). The device includes a guided procedure for online connection, enabling easy configuration and remote or local adjustment of all parameters through an app. Users can simplify the setpoint adjustment directly from the pump and view the current status, alarm history, and consumption data via the APP.

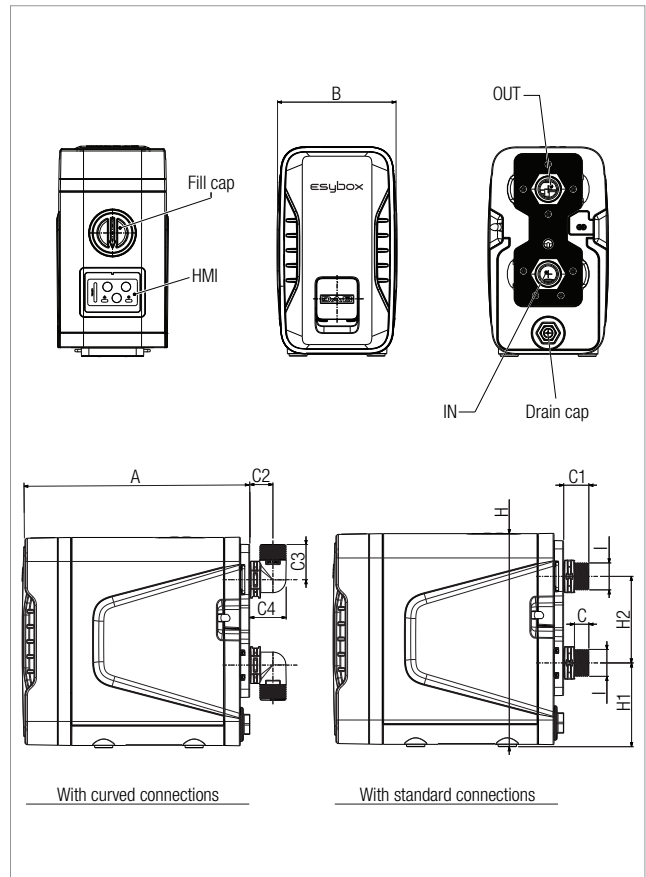
# ESYBOX POP - ELECTRONIC PRESSURISATION SYSTEM

Pumped liquid temperature range: from 5°C to +50°C

Maximum operating pressure: +50°C



The performance curves are based on kinematic viscosity values = 1 mm²/s and density equal to 1000 kg/m³. Curve tolerance according to ISO 9906.



Two pairs of fittings will be supplied, both elbow and standard.

MODEL	Q=m³/h	0	0,6	1,2	1,8	2,4	3	3,8
	Q=l/min	0	10	20	30	40	50	63
ESYBOX POP	H (m)	32	31	26,8	21,6	16	10,1	2,7

MODEL	ELECTRICAL DATA				
	N° IMPELLERS	POWER INPUT 50/60 Hz	P1 MAX		In A
			kW	HP	
ESYBOX POP	2	220-240V	0,3	0,4	1,5A

MODEL	A	B	C	C1	C2	C3	C4	H	H1	H2	I Ø	DNA	DNM	PACKING DIMENSIONS			WEIGHT Kg
														L/A	L/B	H	
ESYBOX POP	226.5	120.3	14	24.7	23	35	36.2	209.3	82.3	85	3/4"	3/4"	3/4"	250	200	250	4,4

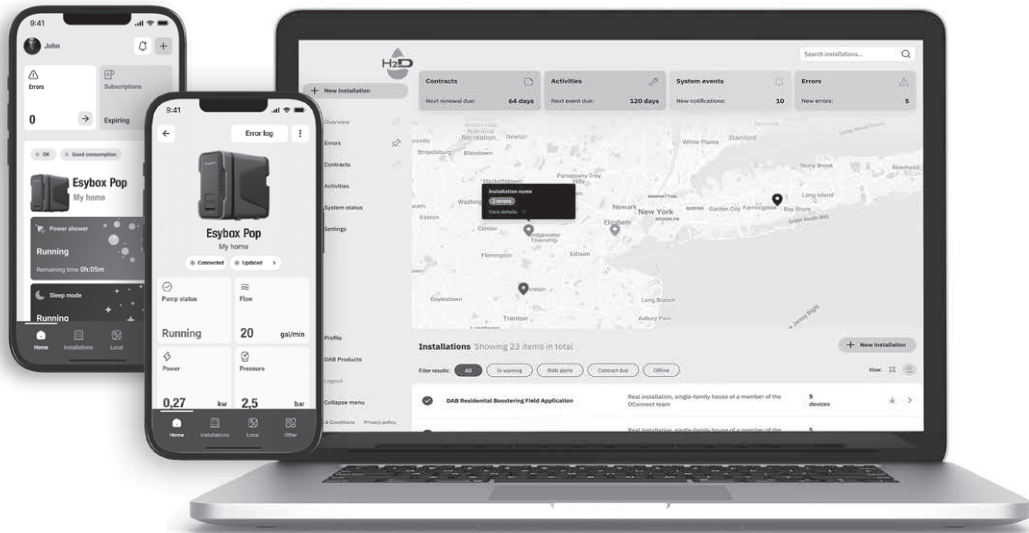
# H<sub>2</sub>D DIGITAL SERVICE

THE SMART PLATFORM FOR MANAGING DAB DEVICES REMOTELY

**H<sub>2</sub>D IS THE DAB PLATFORM - AVAILABLE ON MOBILE AND DESKTOP - THAT PAIRS WITH LATEST-GENERATION DAB DEVICES TO SHOW YOU WHAT'S GOING ON INSIDE YOUR SYSTEMS.**

It allows you to configure your pump and optimise its operation remotely, saving time, resources and money.

Ideal for anyone seeking to future-proof their business with solutions designed to improve processes, offer more service, and be environmentally responsible.



## H<sub>2</sub>D FOR PROFESSIONALS

H<sub>2</sub>D simplifies and streamlines work routines, allowing for precise configuration of all parameters.

## SEE THE FUTURE OF YOUR BUSINESS THROUGH A NEW LENS

Desktop and mobile solutions work together seamlessly. With user-friendly access on your smartphone, it's never been easier to communicate with pumps on site or keep an eye on your systems from anywhere. From your desktop, you can dive deeper into data analysis. You can easily enhance workflow, improve customer service, and grow your business.



### OPTIMISE TIME AND WORK

H<sub>2</sub>D allows systems to be controlled remotely and, where needed, work on site is easier to plan.



### PROBLEM FIXED FIRST TIME, EVERY TIME

H<sub>2</sub>D provides all the info you need to prepare the job beforehand for a quick and permanent fix, so the technician can get everything done in one go.



### LITTLE OR NO DISRUPTION

Remote monitoring allows you to address potential issues and prevent disruptions.



### MORE SERVICE AND LESS URGENT CALLOUTS = INCREASED PROFIT

With remote monitoring, we offer a 24/7 service that includes preventive maintenance services, helping to avoid emergencies.



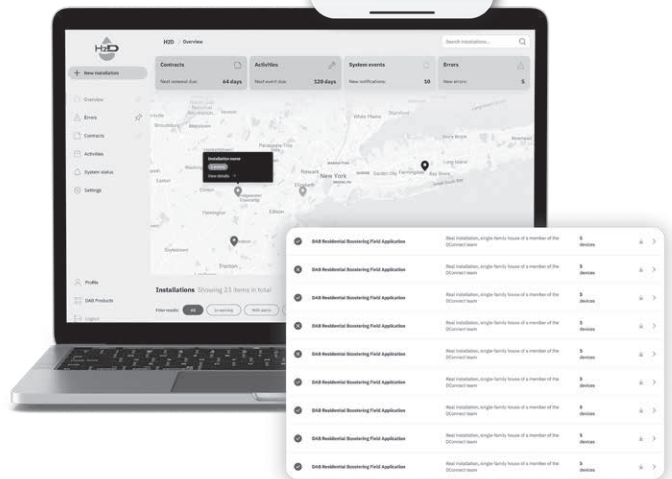
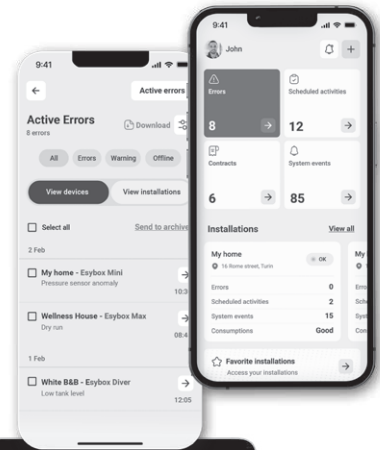
### SATISFIED CUSTOMERS

With parameters optimised remotely, the system ensures consistently smooth operation.



### FROM DCONNECT TO H<sub>2</sub>D

H<sub>2</sub>D replaces and improves on DConnect. Latest generation DAB products connect effortlessly to H<sub>2</sub>D.



# H<sub>2</sub>D DIGITAL SERVICE

## THE SMART PLATFORM FOR MANAGING DAB DEVICES REMOTELY



### H<sub>2</sub>D FOR HOMEOWNERS AND END USERS

H<sub>2</sub>D is a tool designed to help you manage water use effectively, optimising consumption, costs, and comfort.



#### OVERVIEW

With H<sub>2</sub>D monitoring your water usage and device status in real-time is easy and convenient. If any issues arise, you can contact support immediately, regardless of your location.

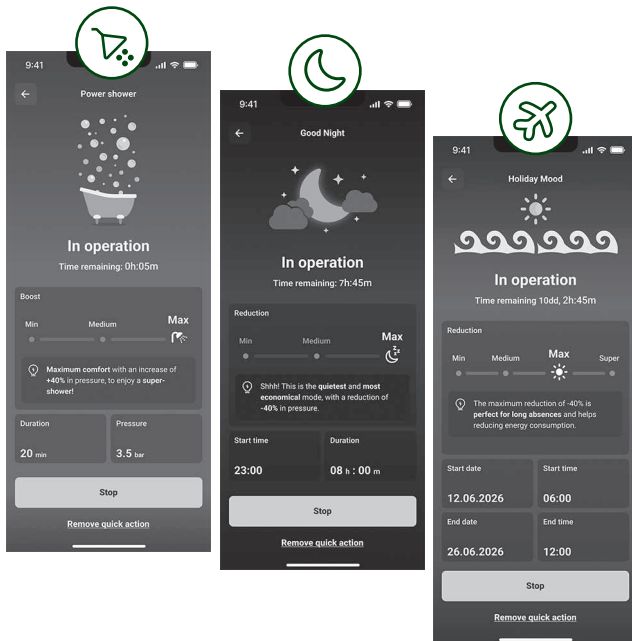


#### SMART HOME. TALK TO ESYBOX POP!

You can activate comfort modes by speaking to voice assistants like Alexa and Google Home. For example, you can say, "Alexa, activate Power Shower."

## COMFORT FUNCTIONS

You can access these functions through an app, allowing you to customise the system's performance and features to balance comfort and energy consumption.



#### POWER SHOWER

Turn a regular shower into a "power shower": this feature increases water pressure just for the time it takes to shower, while reducing usage for the rest of the day.



#### GOOD NIGHT

During the night or for a quick nap, you can activate sleep mode, which switches the already quiet pump to a whisper-quiet operation, further reducing energy usage.



#### HOLIDAY MOOD

This important feature helps minimise device activity, thereby saving energy during vacations or extended periods when you are away.

INSTALL H<sub>2</sub>D NOW!




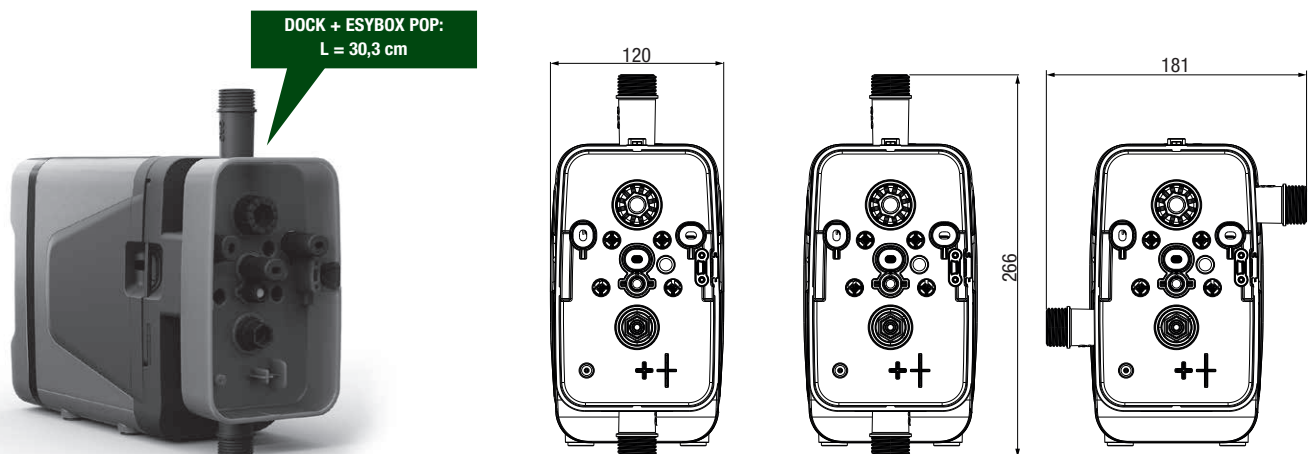
LEARN MORE  
H<sub>2</sub>D.COM/EN



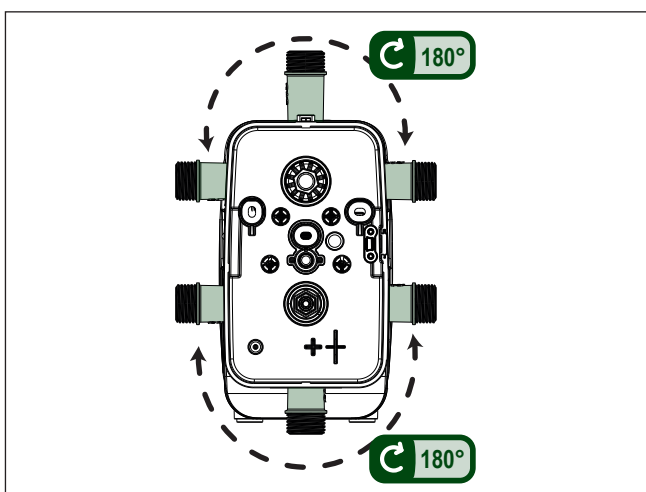
HOW TO USE H<sub>2</sub>D



	DESCRIPTION
	<h3>ESYDOCK POP</h3> <p>Thanks to its adjustable connections, the dock fits any plumbing configuration, allowing for faster, easier, and more flexible installation. It comes with all the interfaces required for connection to the system. It also includes a wall mounting kit and a bypass connection.</p> <p>Also available in DW version with second integrated pressure sensor. Can be connected directly to the existing domestic water supply where permitted.</p>



### OPTION FOR INSTALLATION WITH ESYDOCK POP











Via Marco Polo, 14 - 35035 Mestrino (PD) Italy - Tel. +39.049.5125000 - Fax +39.049.5125950

[www.dabpumps.com](http://www.dabpumps.com)



On-line selection tool



**DAB PUMPS LTD.**

Unit 6 Gilberd Court  
Newcomen Way, Severalls Park  
CO4 9WN  
Colchester  
ordersuk@dwgroup.com  
Tel. +44 0333 777 5010



**DAB PUMPS IBERICA S.L.**

Calle Verano 18-20-22  
28850 - Torrejón de Ardoz - Madrid  
Spain  
Info.spain@dwgroup.com  
Tel. +34 91 6569545



**DAB PUMPS DE MÉXICO, S.A. DE C.V.**

Av Amsterdam 101 Local 4  
Col. Hipódromo Condesa,  
Del. Cuauhtémoc CP 06170  
Ciudad de México  
Tel. +52 55 6719 0493



**DAB PUMPS BV**

'tHofveld 6 C1  
1702 Groot Blijgaarden - Belgium  
info.belgium@dwgroup.com  
Tel. +32 2 4668353



**DAB PUMPS HUNGARY KFT.**

H-8800  
Nagykanizsa, Buda Ernő u.5  
Hungary  
Tel. +36 93501700



**DAB PUMPS SOUTH AFRICA (PTY) LTD**

Twenty One industrial Estate,  
16 Purlin Street, Unit B, Warehouse 4  
Olifantsfontein -1667 - South Africa  
info.sa@dwgroup.com  
Tel. +27 12 361 3997



**DAB PUMPS B.V.**

Statenlaan, 4  
5223 LA, 's-Hertogenbosch  
Nederland  
info.nl@dabpumps.com  
Tel. +31 416 387280



**DAB PUMPS POLAND Sp. z o.o.**

Ul. Janka Muzykanta 60  
02188 Warszawa - Poland  
sprzedaz@dabpumps.com.pl



**DAB PUMPS (QINGDAO) CO. LTD.**

No.10 Xindong Road  
Jiulong Town,  
Jiaozhou City  
266319 Qingdao (Shandong) - China  
sales.cn@dwgroup.com  
Tel. +86 400 186 8280



**DAB PUMPS FRANCE SAS**

Tour Ariane, Paris la Défense 9  
5, Place de la Pyramide  
92800 Puteaux - France  
info.fr@dabpumps.com  
Tel. +33 (0)6 79 63 05 46  
+33 (0)7 89 01 53 35



**DAB PUMPS INC.**

3226 Benchmark Drive  
Ladson, SC 29456 - USA  
info.usa@dwgroup.com  
Tel. 1- 843-797-5002  
Fax 1-843-797-3366



**DAB PUMPS OCEANIA PTY LTD**

426 South Gippsland Highway,  
Dandenong South VIC 3175 - Australia  
info.oceania@dwgroup.com  
Tel. +61 1300 378 677



**DAB PUMPS GMBH**

Am Nordpark 3  
D - 41069 Mönchengladbach - Germany  
info.germany@dwgroup.com  
Tel. +49 2161 47388-0  
Fax +49 2161 47388-36



**DAB PUMPS CANADA INC.**

333 Bay Street, Suite 4600, Toronto,  
Ontario, M5H 2S5, - Canada  
orders@dwgroup.ca  
Tel. 1-833-322-7867



**PT DAB PUMPS INDONESIA**

Satrio Tower lantai 26  
unit C-D, Jl. Prof. Dr. Satrio Kav. C4,  
Kel. Kuningan Timur, Kec. Setiabudi, Kota Adm.  
Jakarta Selatan, Prov. DKI Jakarta. - Indonesia  
Tel. +62 2129222850