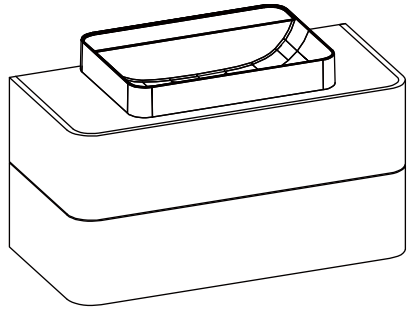
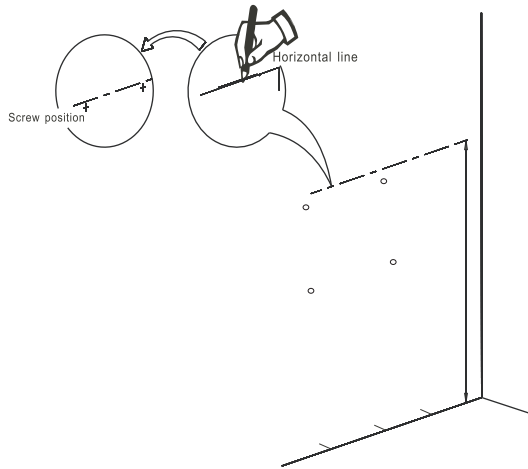


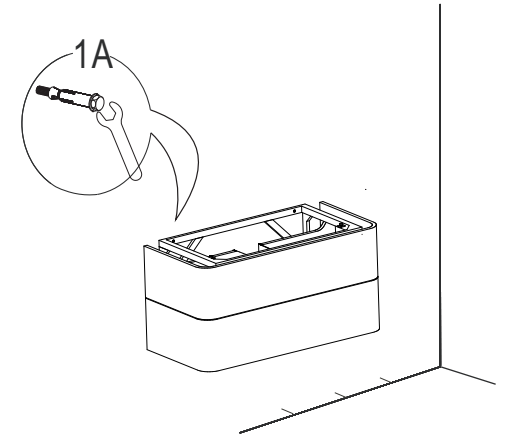
Installation Guide



1



3



Tools required for installation



Electric drill



Drill bit
($\Phi 10 \Phi 8$)



Tape measure
(3m~5m)



Silicone



Pencil



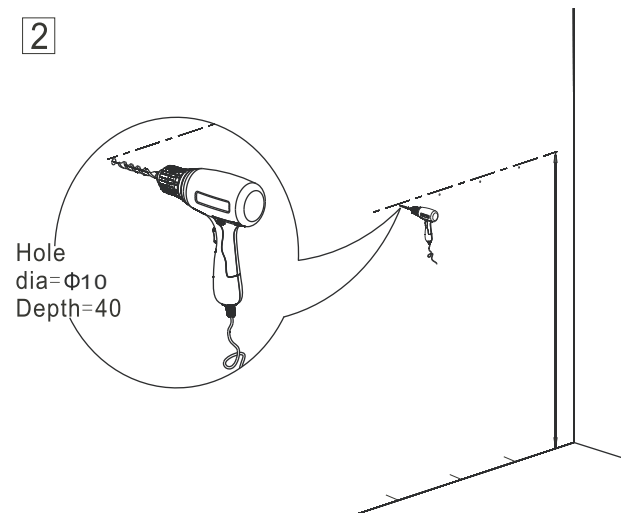
Spanner

CABINET



1A

2



4

