



PERFORMANCE CURVES

07/04/26

Page 2 / 3

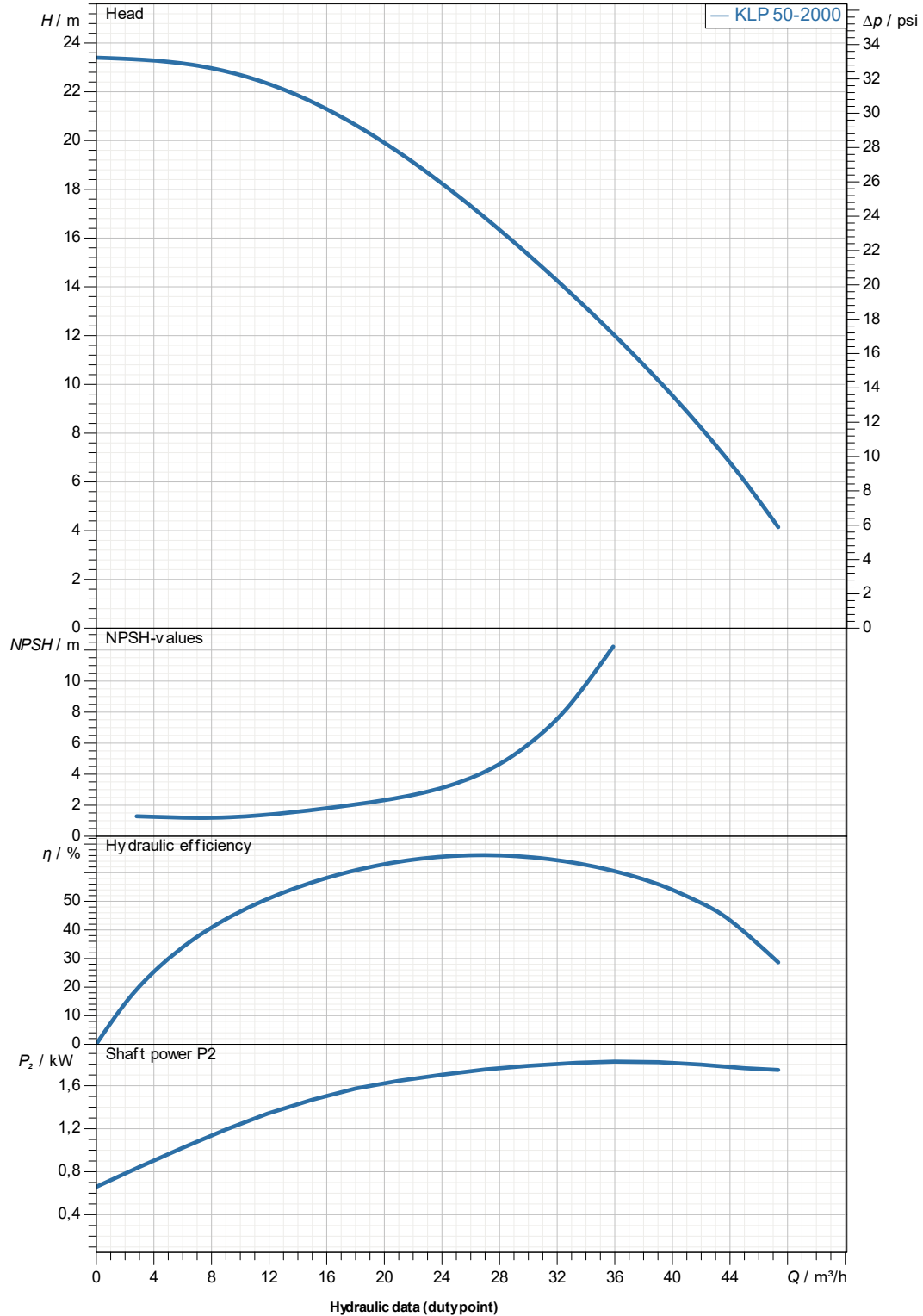
DAB PUMPS S.p.A.
Via Marco Polo, 14 - 35035 Mestrino (PD), Italy
Tel. +39 049 5125000 - Fax +39 049 5125950
www.dabpumps.com

Receiver

Company
Reference
Address
Phone
Fax
E-mail

KLP 50-2000/BQQE/1,5 3x230/400 50 IE3

Curve tolerance according to ISO 9906



Suction side :
DN 50
145 psi

Discharge side :
DN 50
145 psi

Flow :

Head :

Rated speed :
2.832 1/min

Project

Project ID

Created by

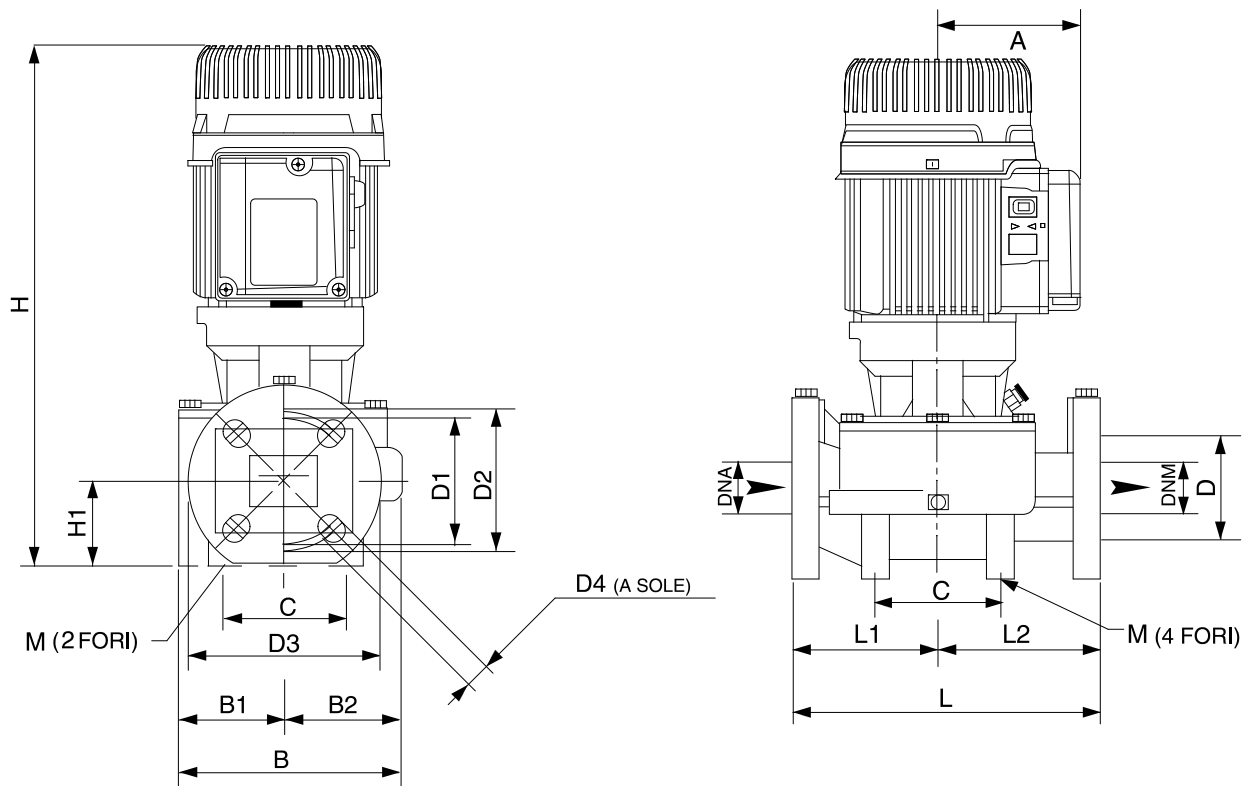
Created on

07/04/26

Receiver

Company
Reference
Address
Phone
Fax
E-mail

KLP 50-2000/BQQE/1,5 3x230/400 50 IE3



Dimensions in mm

Pump connection

1	A	115	DNM	50	Suction DN 50 145 psi Discharge DN 50 145 psi
2	B	204	H	423	
3	B1	94	H1	73	
4	B2	110	L	280	
5	C	100	L1	140	
6	D	90	L2	140	
7	D1	110	M	2 fori 10	
8	D2	125			
9	D3	165			
10	D4	4 asole 18x25,5			
11	DNA	50			

Project	Project ID	Created by	Created on 07/04/26
---------	------------	------------	-------------------------------