



PERFORMANCE CURVES

07/04/26

Page 2 / 3

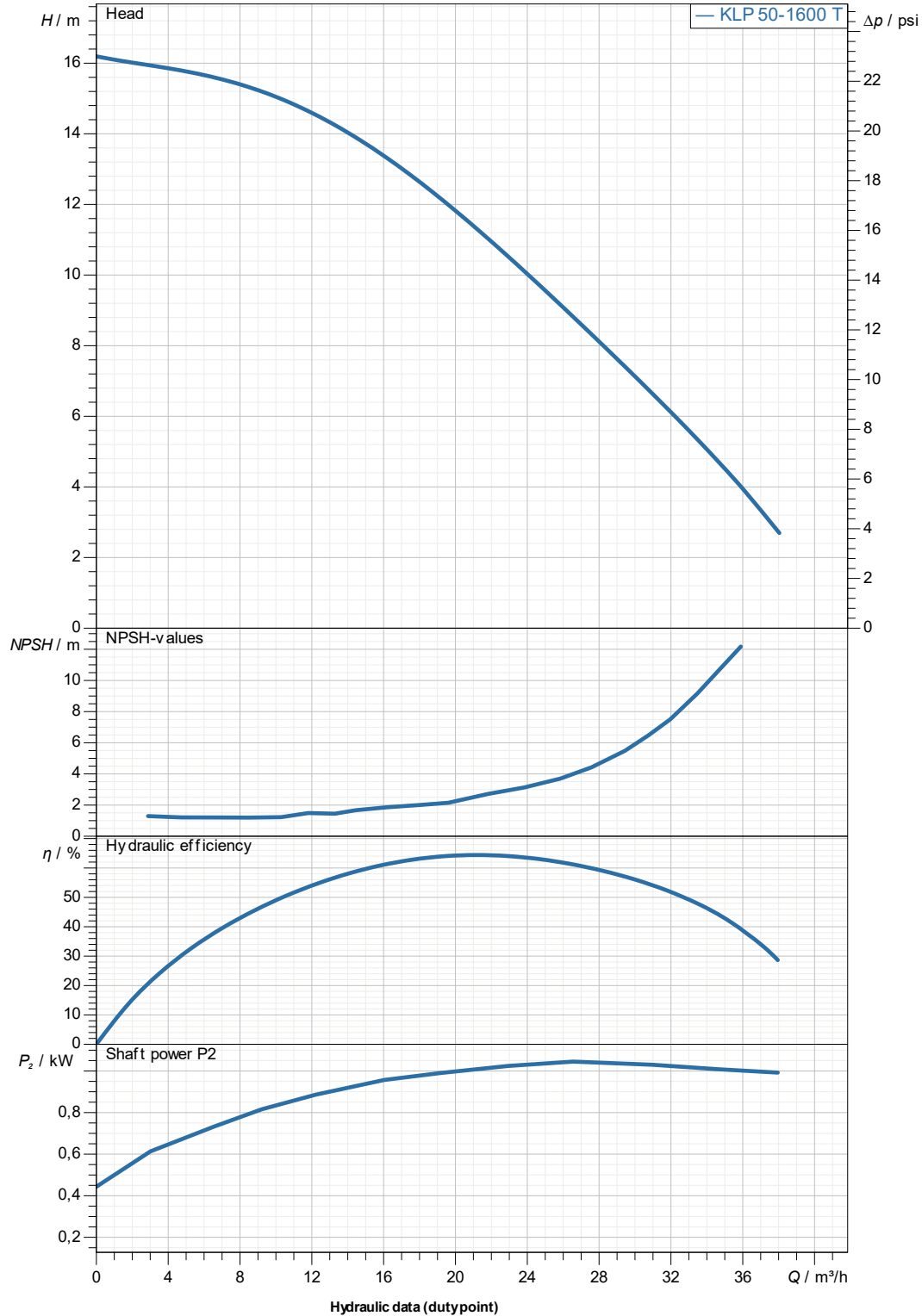
DAB PUMPS S.p.A.
Via Marco Polo, 14 - 35035 Mestrino (PD), Italy
Tel. +39 049 5125000 - Fax +39 049 5125950
www.dabpumps.com

Receiver

Company
Reference
Address
Phone
Fax
E-mail

KLP 50-1600/BQQE/1 3x230/400 50 IE3

Curve tolerance according to ISO 9906



Suction side :
DN 50
145 psi

Discharge side :
DN 50
145 psi

Flow :

Head :

Rated speed :
2.905 1/min

Project

Project ID

Created by

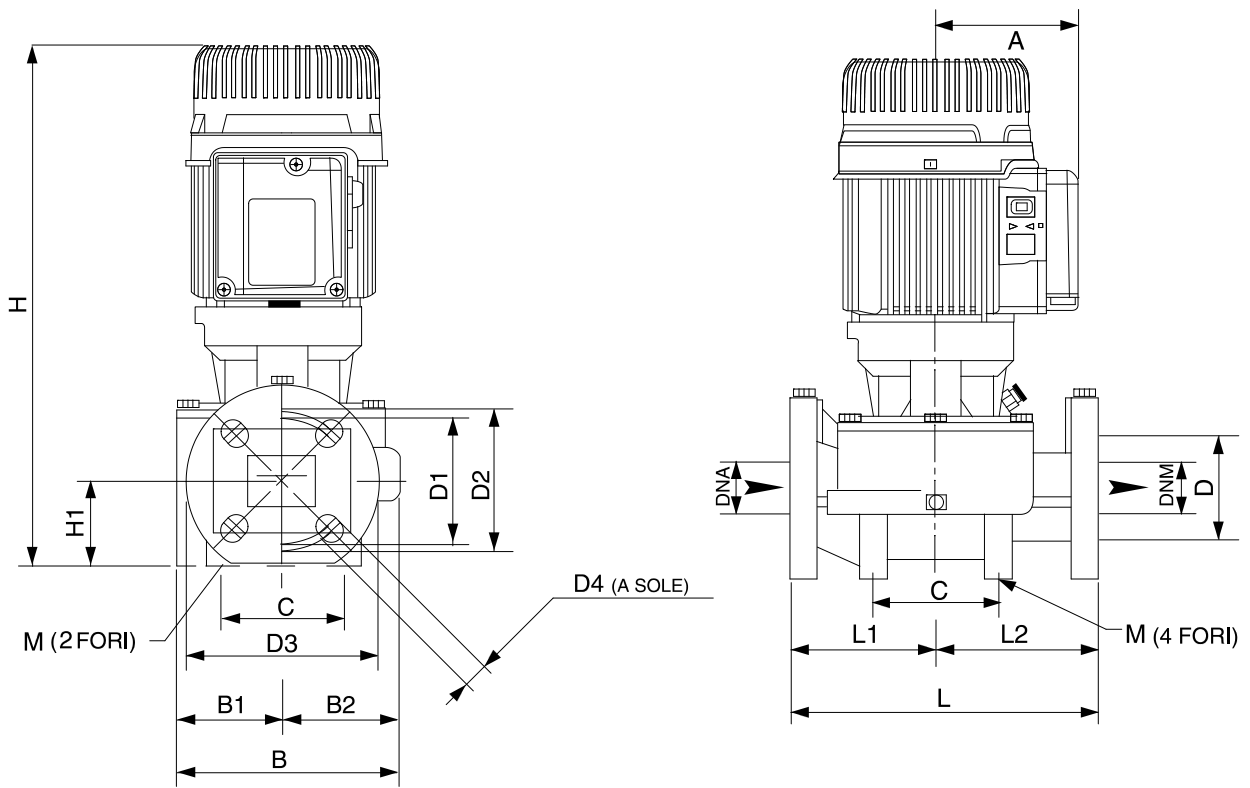
Created on

07/04/26

Receiver

Company
Reference
Address
Phone
Fax
E-mail

KLP 50-1600/BQQE/1 3x230/400 50 IE3



Dimensions in mm					Pump connection	
1	A	110	DNM	50	Suction DN 50 145 psi Discharge DN 50 145 psi	
2	B	204	H	415		
3	B1	94	H1	73		
4	B2	110	L	280		
5	C	100	L1	140		
6	D	90	L2	140		
7	D1	110	M	2 fori 10		
8	D2	125				
9	D3	165				
10	D4	4 asole 18x25,5				
11	DNA	50				

Project	Project ID	Created by	Created on 07/04/26
---------	------------	------------	-------------------------------