



MAKING WATER EASY

PERFORMANCE CURVES

07/04/26

Page 2 / 3

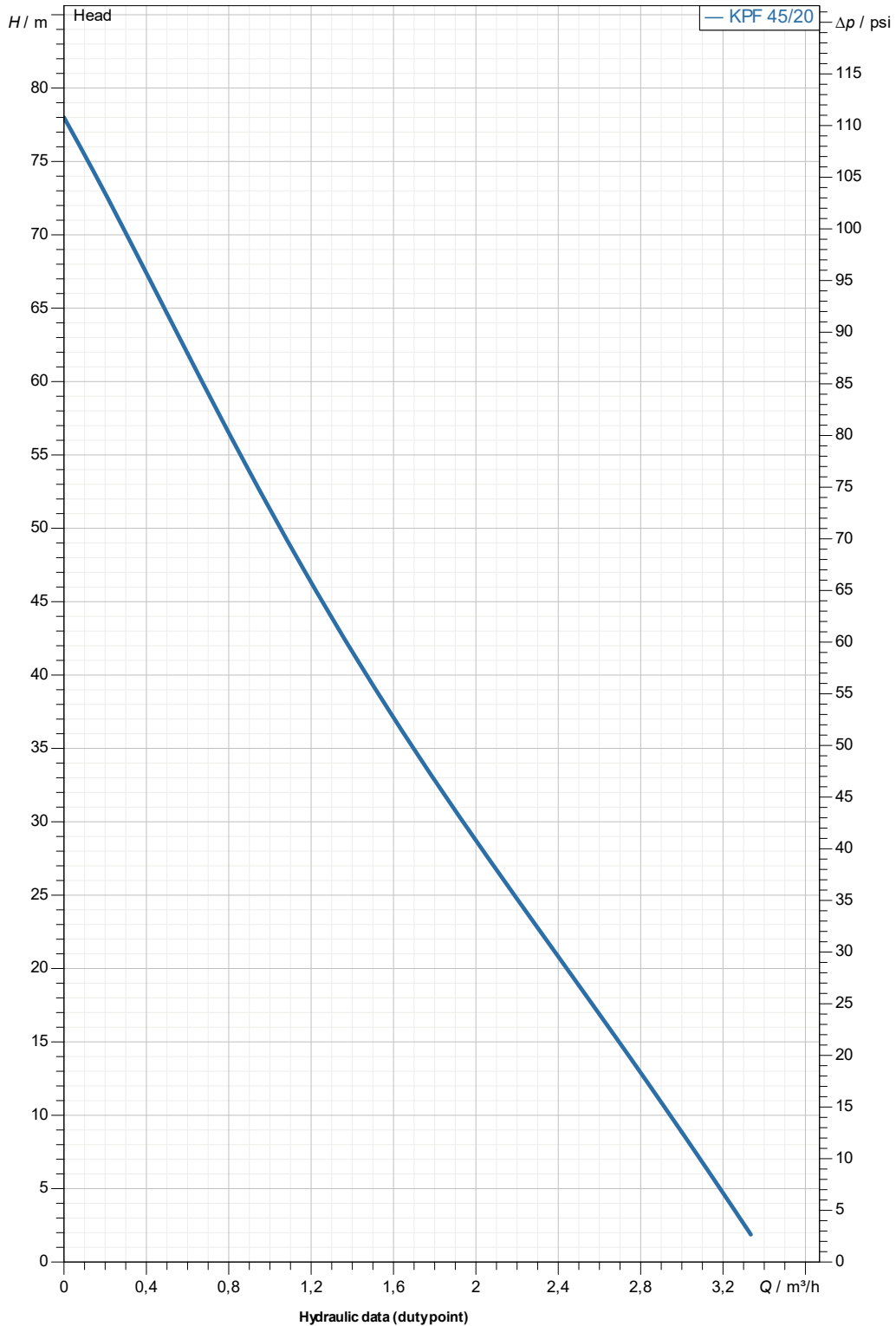
DAB PUMPS S.p.A.
Via Marco Polo, 14 - 35035 Mestrino (PD), Italy
Tel. +39 049 5125000 - Fax +39 049 5125950
www.dabpumps.com

Receiver

Company
Reference
Address
Phone
Fax
E-mail

KPF 45/20 1x220-240 50

Curve tolerance according to ISO 9906



Suction side :
1" G
116 psi

Discharge side :
1" G
116 psi

Flow :

Head :

Rated speed :
2.800 1/min

Project

Project ID

Created by

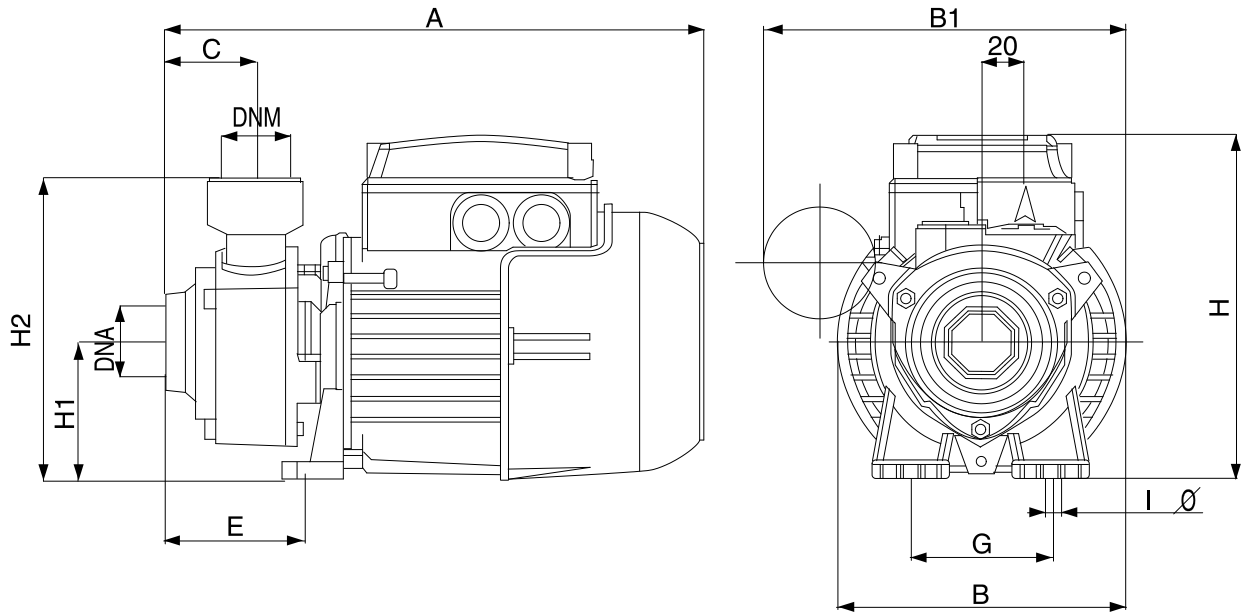
Created on

07/04/26

Receiver

Company
Reference
Address
Phone
Fax
E-mail

KPF 45/20 1x220-240 50



Dimensions in mm

Pump connection

1	A	314					
2	B	155					Suction
3	C	55					1" G
4	DNA	1" G					116 psi
5	DNM	1" G					
6	E	95					
7	G	112					Discharge
8	H	188					1" G
9	H1	78					116 psi
10	H2	163					
11	I Ø	7					

Project	Project ID	Created by	Created on 07/04/26
---------	------------	------------	-------------------------------