

Receiver

Company
Reference
Address
Phone
Fax
E-mail

Item n° : 505929622
Customer pos. no.:

Model :
BPH 180/280.50 T

Pump data

Pressure rating : 145 psi
Min. fluid temperature : -10 °C
Max. fluid temperature : 110 °C

Minimum suction head :

Temperature	°C	75	90	110	120
Minimum suction head :	m	2	5	--	20

Requested data

Flow:
Head:
Fluid (%):
Fluid Temperature : 20 °C
Density : 998,3 kg/m³
Kinematic viscosity : 1,005 mm²/s
Vapor pressure : 0,34 psi

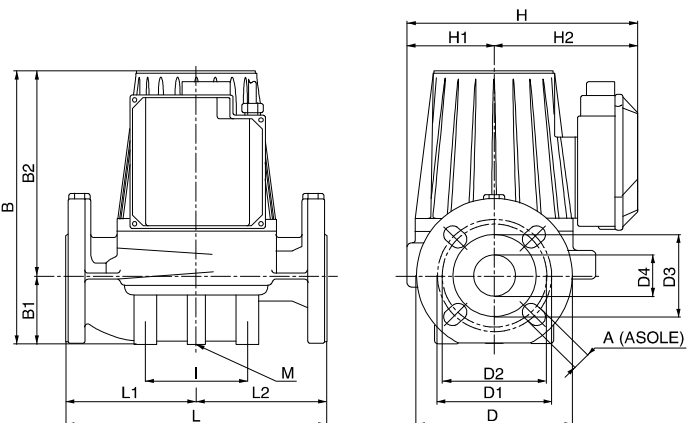
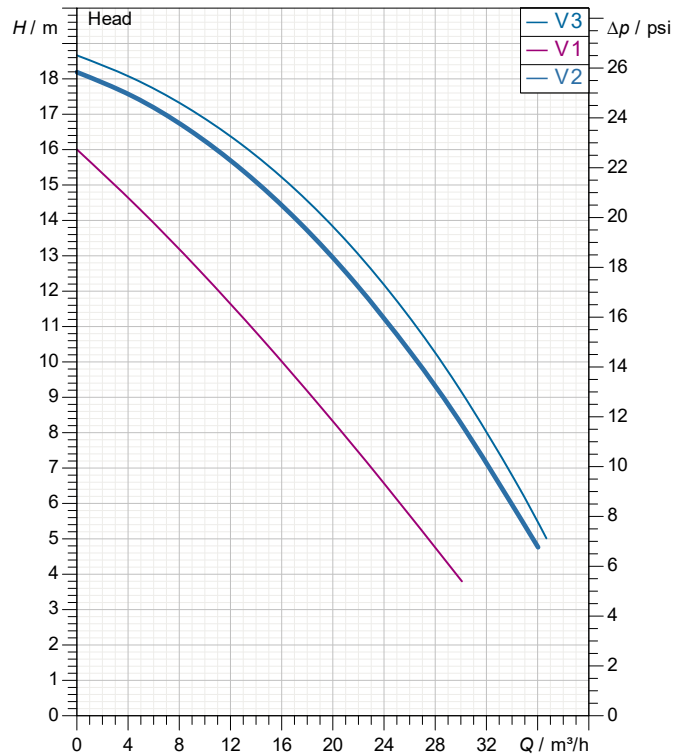
Hydraulic data (duty point)

Flow:
Head:

Materials

Pump body	Cast iron 200 UNI ISO 185
Impeller	Technopolymer B
Motor shaft	AISI 420 C
Air vent plug	Brass P Cu Zn40 Pb2 UNI 5705
Seal ring	Ethylene propylene (EPDM)
Motor casing	Die cast aluminium
Stator jacket	AISI 321Bon. - AISI 304

Curve tolerance according to ISO 9906



Motor data

Motor brand : DAB
Max. Power input P1 : 1,54 kW
Rated speed : 2.780 1/min
Rated voltage : 3~ 400 V 50 Hz
Nominal current : 2,7 A
Degree of protection : IP 44

Dimensions in mm

A	18	D	165	D4	50	I	100
B	362	D1	125	H	254	L	280
B1	73	D2	110	H1	96	L1	140
B2	289	D3	90	H2	158	L2	140

Weight : 26 kg

Pump connection

Suction side : DN 50 / 145 psi
Discharge side : DN 50 / 145 psi



PERFORMANCE CURVES

10/04/26

Page 2 / 3

DAB PUMPS S.p.A.
Via Marco Polo, 14 - 35035 Mestrino (PD), Italy
Tel. +39 049 5125000 - Fax +39 049 5125950
www.dabpumps.com

Receiver

Company
Reference
Address
Phone
Fax
E-mail

BPH 180/280.50 T

Curve tolerance according to ISO 9906



Suction side :
DN 50
145 psi

Discharge side :
DN 50
145 psi

Flow :

Head :

Rated speed :
2.780 1/min

Project

Project ID

Created by

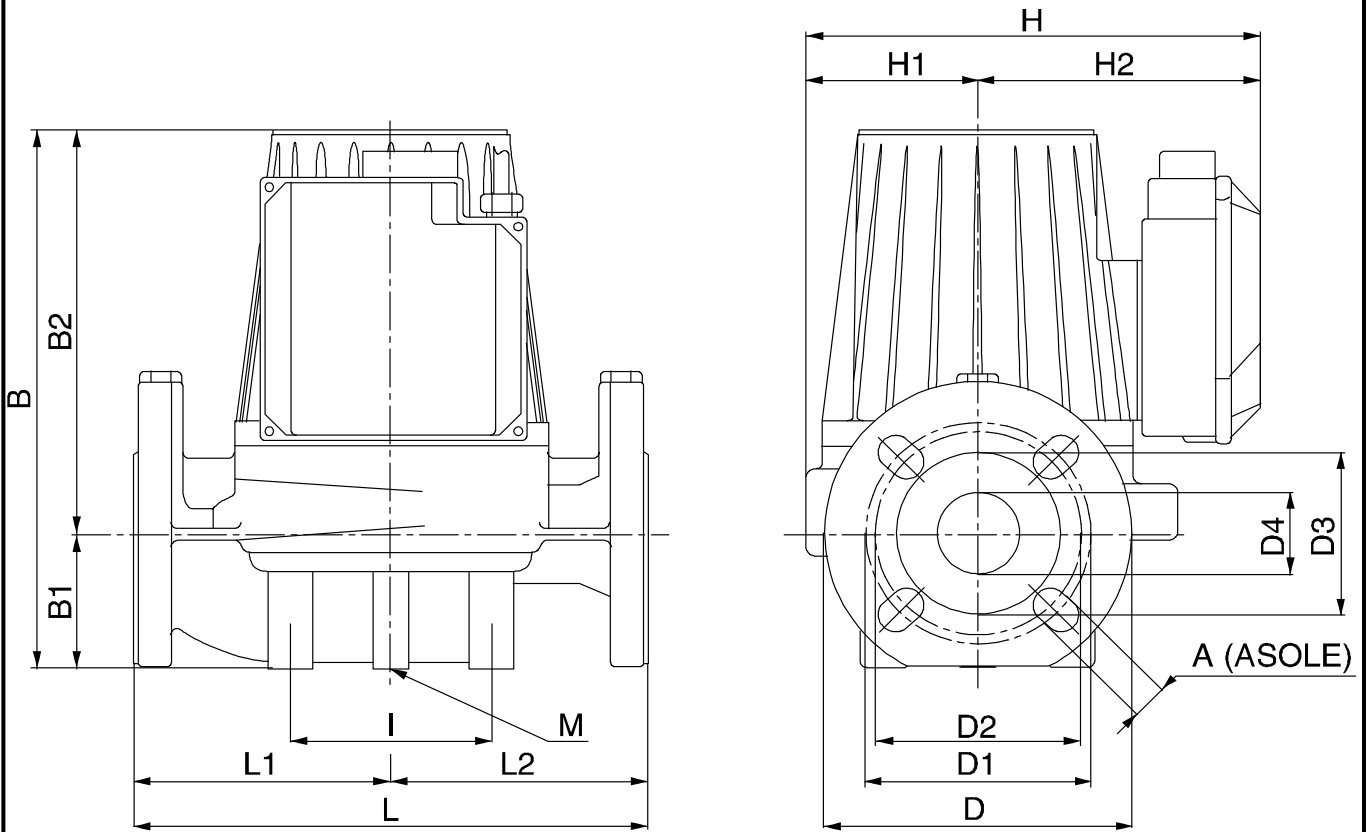
Created on

10/04/26

Receiver

Company
Reference
Address
Phone
Fax
E-mail

BPH 180/280.50 T



Dimensions in mm					Pump connection
1	A	18	H2	158	Suction DN 50 145 psi Discharge DN 50 145 psi
2	B	362	I	100	
3	B1	73	L	280	
4	B2	289	L1	140	
5	D	165	L2	140	
6	D1	125	M	M10	
7	D2	110			
8	D3	90			
9	D4	50			
10	H	254			
11	H1	96			

Project	Project ID	Created by	Created on 10/04/26
---------	------------	------------	-------------------------------