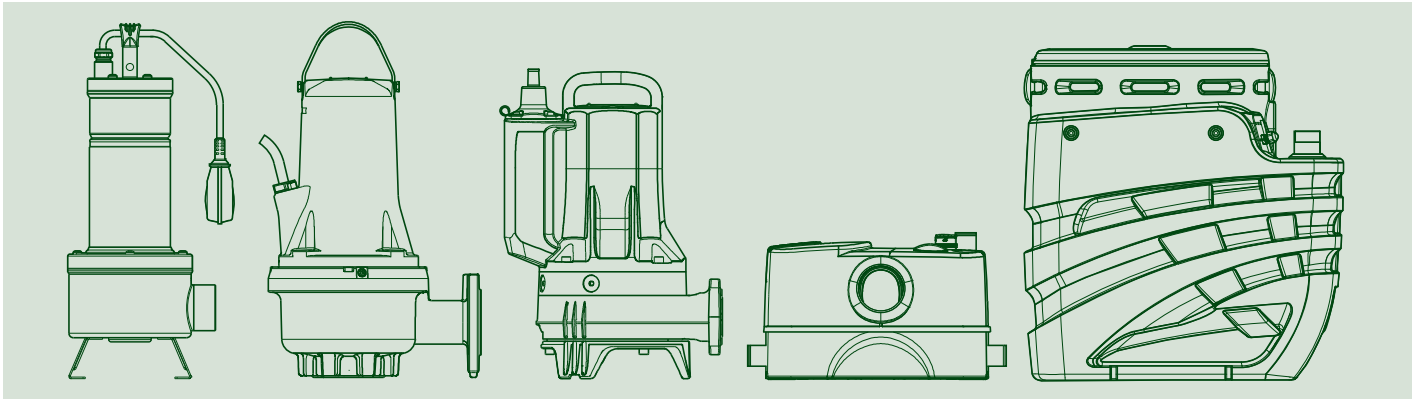




WATER • TECHNOLOGY

SUBMERSIBLE PUMPS



TECHNICAL CATALOGUE

FEKAFOS 280 DOUBLE

2 PUMP AUTOMATIC LIFTING STATIONS



TECHNICAL DATA

Operating range:

from 1 to 32 m³/h with head up to 23 metres.

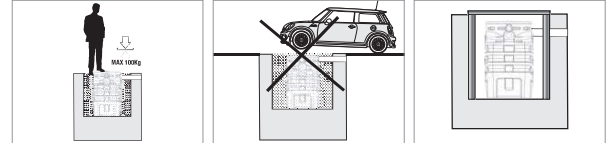
Pumped liquid: ground water, rain water, clear waste water, grey waste water, and river or lake water.

Liquids compatible with EN12050 1/2.

Maximum temperature of liquid: 45°C

Installation: Secured to the floor if inside a building. Underground if outside the building.

It cannot be driven on, but it can be walked on, maximum weight 100 kg.



APPLICATIONS

Pumping stations suitable for the collection and redirection to the sewer network, of domestic drain water (waste, dirty, rain), of basements and garages, for one or more dwellings, when the sewer network cannot be reached due to gravity issues.

CONSTRUCTION FEATURES

CAPACITY: 280 lt

MATERIALS: LLDPE

STANDARDS 12050-1

CONNECTIONS

- DN 50/110 inputs
- DN 50 ventilation
- G2" output

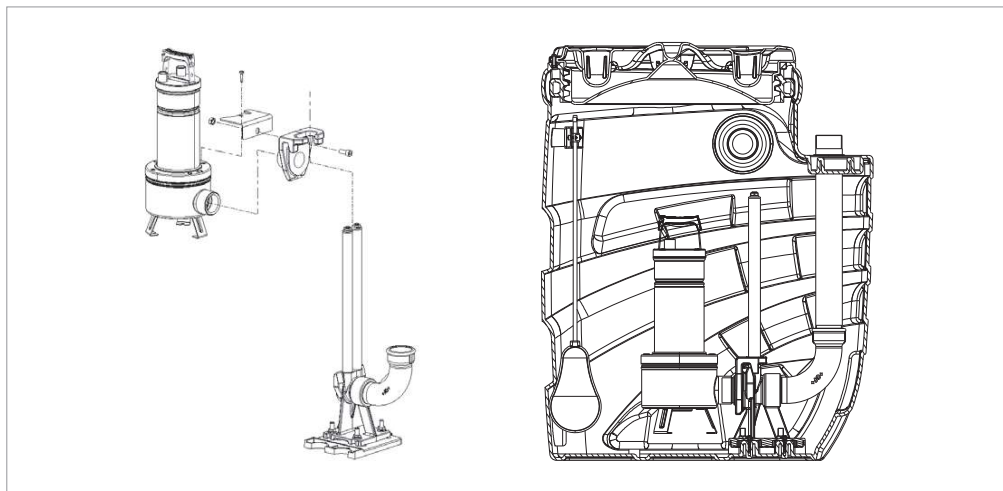
COMPONENTS INCLUDED:

- 2 DSD2" lifting devices
and rotation prevention bracket for FEKA VS and VX
- 6 cable glands for double pump and floats
- 2 FEKA VS and VX float cable stop kits
- 3 floats and alarm float support

COMPONENTS NOT INCLUDED

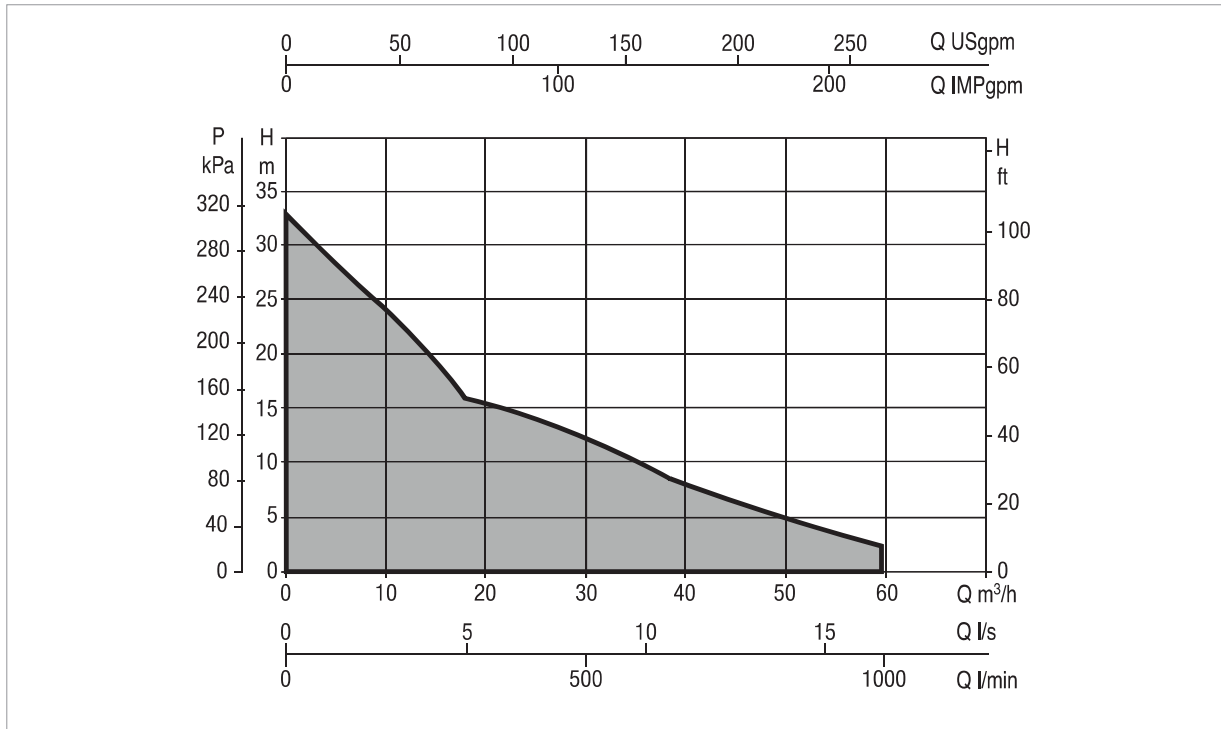
- Pump: to be selected according to the possible configurations
- Panel: to be selected according to the possible configurations
- Overflow alarm float

PUMP INSTALLATION



FEKAFOS 280 DOUBLE - WASTE WATER AUTOMATIC COLLECTION AND LIFTING STATIONS

Maximum temperature of liquid: 45°C



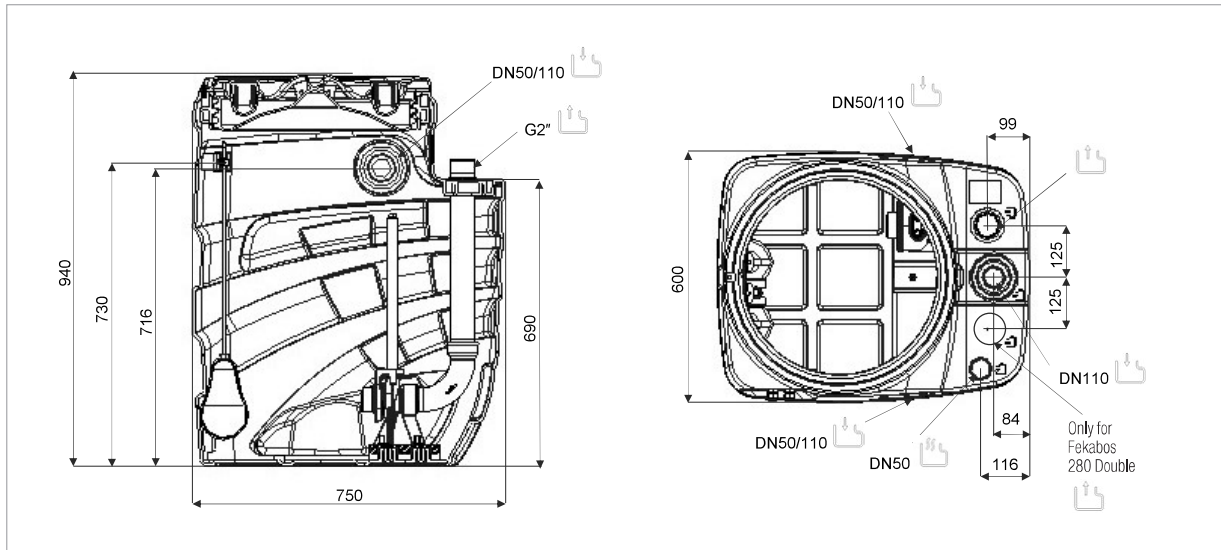
CONFIGURATIONS

MODEL PUMP	ELECTRICAL DATA					PANEL MATCHING	PANEL MATCHING
	POWER INPUT 50 HZ	P1 MAX kW	P2 NOMINAL		In A		
			kW	HP			
FEKA VS 550 M-NA	1x220V-240V ~	0,92	0,55	0,75	4,2	E2D2M	EBOX PLUS D
FEKA VS 550 T-NA	3x400V ~	0,90	0,55	0,75	1,64	E2D2T	
FEKA VS 750 M-NA	1x220V-240V ~	1,11	0,75	1	5,13	E2D2M	
FEKA VS 750 T-NA	3x400V ~	1,02	0,75	1	1,94	E2D2T	
FEKA VS 1000 M-NA	1x220V-240V ~	1,46	1	1,36	6,63	E2D3M	
FEKA VS 1000 T-NA	3x400V ~	1,37	1	1,36	2,51	E2D3T	
FEKA VS 1200 M-NA	1x220V-240V ~	1,93	1,2	1,6	8,63	E2D3M	
FEKA VS 1200 T-NA	3x400V ~	1,86	1,2	1,6	3,44	E2D3T	
FEKA FXV 20.07 MNA*	1x230V	1,4	0,9	1,2	6,4	E2D3M	
FEKA FXV 20.07 TNA*	3x400V	1,4	0,9	1,2	2,4	E2D3T	
FEKA FXV 20.11 MNA*	1x230V	1,7	1,2	1,6	8	E2D3M	
FEKA FXV 20.11 TNA*	3x400V	1,6	1,2	1,6	2,9	E2D3T	
FEKA FXV 20.15 MNA*	1x230V	2,3	1,7	2,3	10,5	E2D4M	
FEKA FXV 20.15 TNA*	3x400V	2,2	1,7	2,3	4	E2D3T	
FEKA FXV 20.22 TNA*	3x400V	2,9	2,2	2,9	5	E2D5T	
FEKA FXC 20.07 MNA	1x230V	0,9	0,7	0,9	4,1	E2D2M	
FEKA FXC 20.07 TNA	3x400V	0,9	0,7	0,9	1,8	E2D1,5M	
FEKA FXC 20.11 MNA	1x230V	1,4	1	1,3	6,3	E2D3M	
FEKA FXC 20.11 TNA	3x400V	1,3	1	1,3	2,6	E2D3T	
FEKA FXC 20.15 MNA	1x230V	2	1,5	2,0	9,1	E2D3M	
FEKA FXC 20.15 TNA	3x400V	1,8	1,5	2,0	3,5	E2D3T	
FEKA FXC 20.22 TNA	3x400V	2,8	2,2	2,9	4,9	E2D5T	
DRENAG FX 15.07 MNA*	1x230V	1,1	0,8	1,1	5,1	E2D2M	
DRENAG FX 15.07 TNA*	3x400V	1	0,8	1,1	2,1	E2D2T	
DRENAG FX 15.11 MNA*	1x230V	1,5	1,2	1,6	6,8	E2D3M	
DRENAG FX 15.11 TNA*	3x400V	1,5	1,2	1,6	2,8	E2D3T	
DRENAG FX 15.15 MNA*	1x230V	2,3	1,8	2,4	10,6	E2D4M	
DRENAG FX 15.15 TNA*	3x400V	2,5	1,8	2,4	4,3	E2D5T	
DRENAG FX 15.22 TNA*	3x400V	3,1	2,3	3,1	5,2	E2D5T	
GRINDER FX 15.07 MNA*	1x230V	1,1	0,8	1,1	5,3	E2D3M	
GRINDER FX 15.07 TNA*	3x400V	1	0,8	1,1	2	E2D3T	
GRINDER FX 15.11 MNA*	1x230V	1,5	1,1	1,5	6,8	E2D3M	
GRINDER FX 15.11 TNA*	3x400V	1,5	1,1	1,5	2,8	E2D3T	
GRINDER FX 15.15 MNA*	1x230V	2,2	1,6	2,1	9,8	E2D4M	
GRINDER FX 15.15 TNA*	3x400V	2,1	1,6	2,1	3,8	E2D5T	
GRINDER FX 15.22 TNA*	3x400V	2,6	2,1	2,8	4,7	E2D5T	

*Available in IECEX version

FEKAFOS 280 DOUBLE - WASTE WATER AUTOMATIC COLLECTION AND LIFTING STATIONS






Maximum temperature of liquid: 45°C



SIZES AND WEIGHTS

PACKING DIMENSIONS			WEIGHT Kg
L/A	L/B	H	
750	600	940	53.7

LEGEND:

-  → Emergency output or delivery piping connection
-  → Collection piping input
-  → Power and float cable output
-  → Ventilation pipe connection
-  → Recyclable material

DNA
DNA
PUMPS SELECTOR

On-line product selection



DAB PUMPS LTD.
6 Gilberd Court
Newcomen Way
Severalls Business Park
Colchester
Essex
CO4 9WN - UK
salesuk@dwtgroup.com
Tel. +44 0333 777 5010



DAB PUMPS IBERICA S.L.
Calle Verano 18-20-22
28850 - Torrejón de Ardoz - Madrid
Spain
Info.spain@dwtgroup.com
Tel. +34 91 6569545
Fax: + 34 91 6569676



DAB PUMPS SOUTH AFRICA (PTY) LTD
Twenty One Industrial Estate,
16 Purlin Street, Unit B, Warehouse 4
Olifantsfontein -1666 - South Africa
info.sa@dwtgroup.com
Tel. +27 12 361 3997



DAB PUMPS BV
'tHofveld 6 C1
1702 Groot Bijgaarden - Belgium
info.belgium@dwtgroup.com
Tel. +32 2 4668353



DAB PUMPS HUNGARY KFT.
H-8800
Nagykanizsa, Buda Ernő u.5
Hungary
Tel. +36 93501700



DAB PUMPS (QINGDAO) CO. LTD.
No.40 Kaituo Road, Qingdao Economic & Technological
Development Zone
Qingdao City, Shandong Province - China
PC: 266500
sales.cn@dwtgroup.com
Tel. +86 400 186 8280
Fax +86 53286812210



DAB PUMPS B.V.
Albert Einsteinweg, 4
5151 DL Drunen - Nederland
info.netherlands@dwtgroup.com
Tel. +31 416 387280
Fax +31 416 387299



DAB PUMPS POLAND Sp. z o.o.
Ul. Janka Muzykanta 60
02-188 Warszawa - Poland
polska@dabpumps.com.pl



DAB PUMPS DE MÉXICO, S.A. DE C.V.
Av Amsterdam 101 Local 4
Col. Hipódromo Condesa,
Del. Cuauhtémoc CP 06170
Ciudad de México
Tel. +52 55 6719 0493



DAB PUMPS GMBH
Am Nordpark 3
D - 41069 Mönchengladbach - Germany
info.germany@dwtgroup.com
Tel. +49 2161 47388-0
Fax +49 2161 47388-36



DAB PUMPS INC.
3226 Benchmark Drive
Ladson, SC 29456 - USA
info.usa@dwtgroup.com
Tel. 1-843-797-5002
Fax 1-843-797-3366



DAB PUMPS OCEANIA PTY LTD
426 South Gippsland Hwy,
Dandenong South VIC 3175 - Australia
info.oceania@dwtgroup.com
Tel. +61 1300 373 677



PT DAB PUMPS INDONESIA
Satrio Tower Iantai 26
unit C-D, Jl. Prof. Dr. Satrio Kav. C4,
Kel. Kuningan Timur, Kec. Setiabudi, Kota Adm.
Jakarta Selatan, Prov. DKI Jakarta. - Indonesia
Tel. +62 2129222850